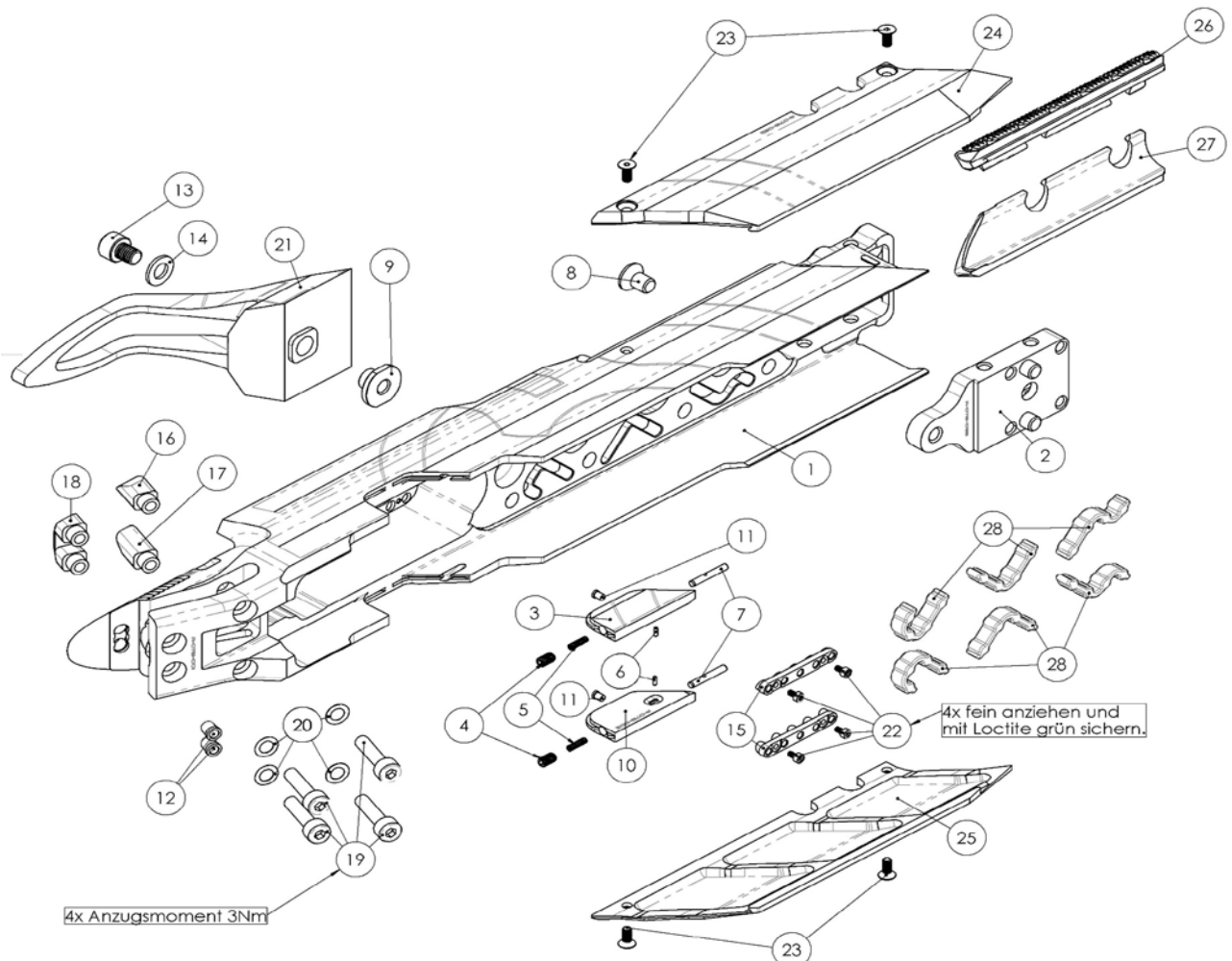
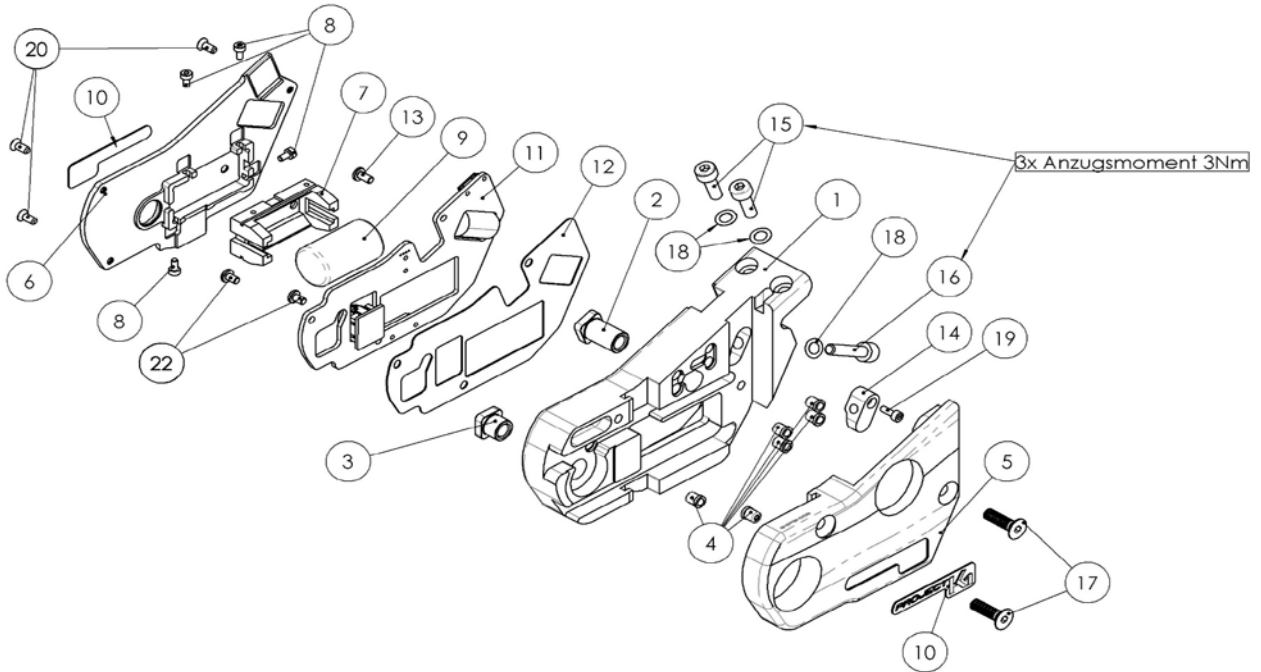


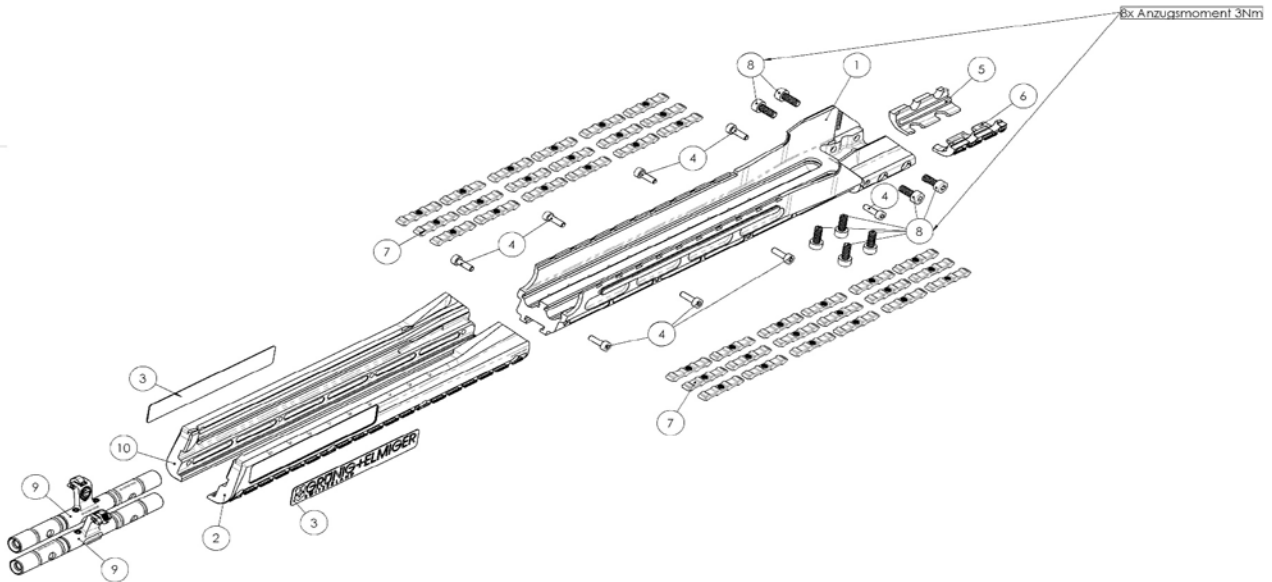
No.:	Name of part	Dimension	Ident. No.	Quantity p. Mod.	
K1 System-stock	1	System-stock	413-01-001	1	
	2	Tread base plate	413-01-023	1	
	3	Filling part K1 left	413-01-020	1	
	4	Set hex screw	M3x5	408-07-086	2
	5	Spring	0.20x1.80x6.40	408-07-125	2
	6	Parallel pin	Ø1x4 (cut at amount)	408-07-126	2
	7	Parallel pin inox (drilled hole)	Ø2x14	408-07-124	2
	8	Flat countersunk head socket cap screw w. torx (black)	M5x8	413-01-051	1
	9	Threaded bush for trigger guard		408-05-002	1
	10	Filling part K1 right		413-01-002	1
	11	Spring plunger	Ø2	408-07-153	2
	12	Spring plunger	Ø4	420-02-029	2
	13	Hex socket head cap screw (black)	M5x6	408-05-004	1
	14	Washer (black)	M5x5.3x1	408-07-019	1
	15	Threaded plate		413-01-005	2
	16	Threaded bush M4 left		413-01-009	1
	17	Threaded bush M4 right		413-01-010	1
	18	Double-threaded bush M4		413-01-017	1
	19	Hex socket head cap screw (black)	M4x16	420-01-009	4
	20	Slide-washer M4		413-01-018	4
	21	Trigger guard K1		413-01-003	1
	22	Hex socket head cap screw (black)	M1.6x3	413-01-154	4
	23	Flat countersunk head socket cap screw w. torx (black)	M2.5x6	413-01-052	4
	24	Side shell 45mm left		413-01-034	1
	24	Side shell 48mm left		413-01-032	1
	25	Side shell 45mm right		413-01-033	1
25	Side shell 48mm right		413-01-031	1	
26	Inlet 42mm system-stock left		413-01-036	1	
26	Inlet 45mm system-stock left		413-01-038	1	
26	Inlet 48mm system-stock left		413-01-040	1	
27	Inlet 42mm system-stock right		413-01-035	1	
27	Inlet 45mm Systemschaft right		413-01-037	1	
27	Inlet 48mm Systemschaft right		413-01-039	1	
28	Absorber		413-03-002	6	
26	Buffer K1		413-01-008	1	



No.:	Name of part	Dimension	Ident. No.	Quantity p. Mod.	
K1 Back end- stock	1	Back end-stock	413-02-001	1	
	2	Threaded bush cheekpiece	413-02-003	1	
	3	Threaded bush butt plate	413-02-004	1	
	4	Spring plunger	408-01-003	6	
	5	Ratchet cover	413-02-005	1	
	6	Electric cover	413-02-006	1	
	7	Battery case	450-02-064	1	
	8	Hex socket head cap screw (black)	M2x4	440-08-034	4
	9	Battery Varta CR2		450-02-065	1
	10	Logo Project K1 for K1 stock		413-02-007	2
	11	Main circuit board V2 for K1			1
	12	Isolator V2 for K1			1
	13	Hex socket head cap screw (black)	M2.5x5 SW1.3	420-20-006	1
	14	Threaded cube M4		413-02-010	1
	15	Hex socket head cap screw (black)	M4x12	600-01-004	2
	16	Hex socket head cap screw (black)	M4x18	630-06-006	1
	17	Hex socket flat countersunk head screw (black)	M4x14 SW 2.5	430-03-022	2
	18	Slide-washer M4		413-01-018	3
	19	Hex socket head cap screw (black)	M2x6	310-02-050	1
	20	Flat countersunk head socket cap screw w. torx (black)	M2.5x6	413-01-052	3
	22	Hex socket head cap screw (black)	M2.5x4 SW1.3	450-02-090	2

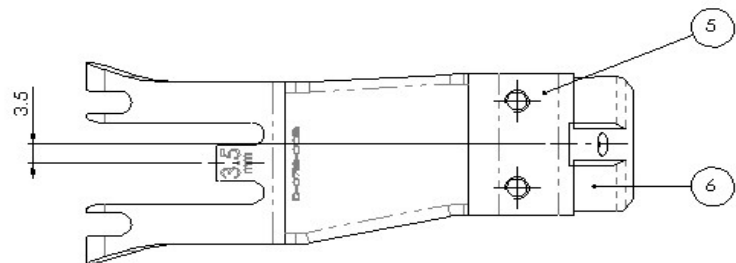
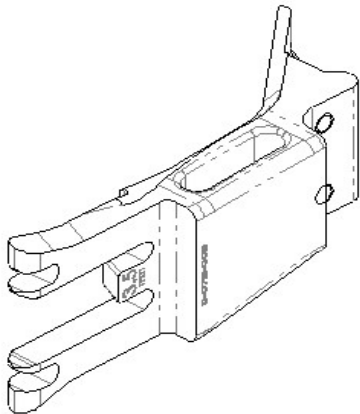
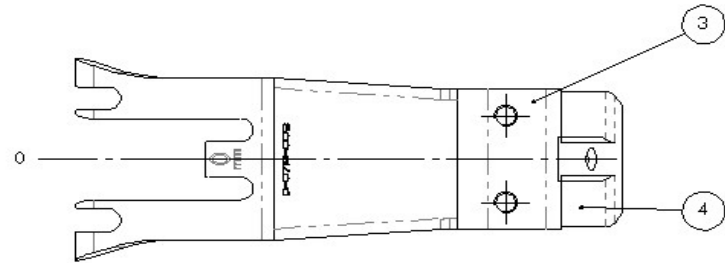
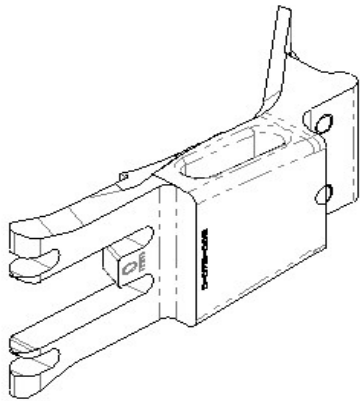
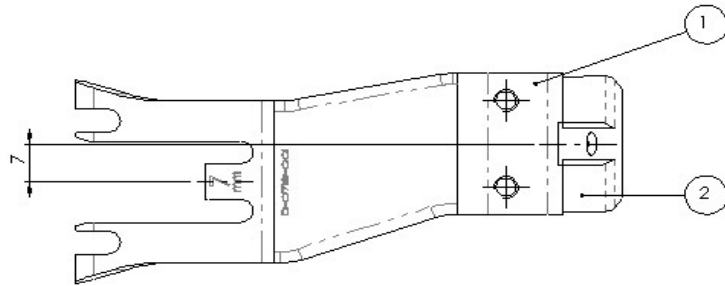
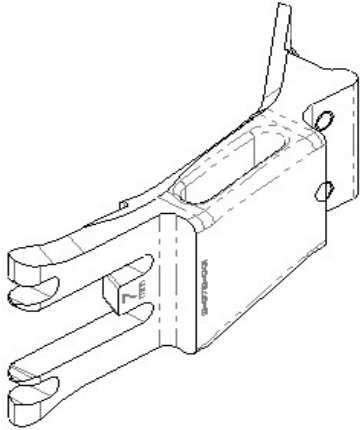


No.:	Name of part	Dimension	Ident. No.	Quantity p. Mod.	
K1 Fore end-stock	1	Fore end-stock K1 standard	413-03-001	1	
	2	Side shell fore end-stock 42mm left	413-03-011	1	
	2	Side shell fore end-stock 45mm left	413-03-034		
	2	Side shell fore end-stock 48mm left	413-03-031		
	3	Logo G+E for K1 stock side shell	413-03-013	2	
	4	Hex socket head cap screw (black)	M3x10	600-04-010	8
	5	Inlet 42mm fore end-stock right		413-03-035	1
	5	Inlet 45mm fore end-stock right		413-03-037	
	5	Inlet 48mm fore end-stock right		413-03-039	
	6	Inlet 42mm fore end-stock left		413-030-36	1
	6	Inlet 45mm fore end-stock left		413-03-038	
	6	Inlet 48mm fore end-stock left		413-03-040	
	7	Absorber		413-03-002	36
	8	Hex socket head cap screw (black)	M4x10	450-01-002	8
	9	Equalizer 2		413-05-500	2
	10	Side shell fore end-stock 42mm right		413-03-010	1
	10	Side shell fore end-stock 45mm right		413-03-033	
10	Side shell fore end-stock 48mm right		413-01-032		



No.:	Name of part	Dimension	Ident. No.	Quantity p. Mod.
------	--------------	-----------	------------	------------------

K1 Fore end-stock	1	Offset 7mm Aluminium	7mm	413-04-001	1
	2	Offset 7mm Titanium	7mm	413-04-011	1
	3	Offset 0mm Aluminium	0mm	413-04-002	1
	4	Offset 0mm Titanium	0mm	413-04-012	1
	5	Offset 3.5mm Aluminium	3.5mm	413-04-003	1
	6	Offset 3.5mm Titanium	3.5mm	413-04-013	1



No.:	Name of part	Dimension	Ident. No.	Quantity p. Mod.	
Equalizer 2	1	Weight-rod Ø10	413-05-001	2	
	2	Ball	Ø3	305-14-006	2
	3	Spring	6.30x1.92x0.32	411-05-012	2
	4	Slider		413-05-002	1
	5	Push-button		411-05-008	1
	6	Parallel pin	Ø1.5x10	411-05-013	1
	7	Spring	0.20x1.80x4.40	411-05-011	1
	8	Hex socket set screw	M4x3	300-19-010	2
	9	O-Ring	ø7x1,5	411-05-003	4
	10	Logo G+E		414-01-023	1

